



IPL-0005

ILLUSTRATED PART LIST

Customer:	<b>MAZ</b>
Axle Model:	<b>10.24 BUS</b>
Axle P/N:	<b>826264</b> XXXXXXXXXXXXXX
	<b>826265</b> XXXXXXXXXXXXXX
	<b>826266</b> XXXXXXXXXXXXXX
Document:	<b>IPL-0005</b>
Issue:	<b>D</b>

The description, testing procedures, and specifications contained in this parts / service publication were current at time of writing. This manual will not be updated. If in doubt about any aspect of maintenance or servicing of the axle please contact the vehicle builder or our service department directly.

**SPICER**<sup>®</sup> products are subject to continuous development and we reserve the right to modify procedures and to make changes in specifications at any time without prior notice and without incurring in any obligation.

The recommendations of the vehicle manufacturer should be considered as the primary source of service information regarding this **SPICER**<sup>®</sup> product. This manual is intended to be used as a supplement to such information.

Any references to brand names in this publication are made simply as an example of the types of tools and materials recommended for use and, as such, should not be considered as an endorsement.

This manual is the property of **Commercial Vehicle Products – Europe**, a division of **Dana Holding Corporation**, and may not be copied or disseminated without prior agreement of **Commercial Vehicle Products– Europe**, a division of **Dana Holding Corporation**.

**Commercial Vehicle Products – Europe**, a division of **Dana Holding Corporation**, recommends following all manufacturers recommendations for the proper handling and disposal of lubricants and solvents. For further information please contact the lubricants and solvents supplier.

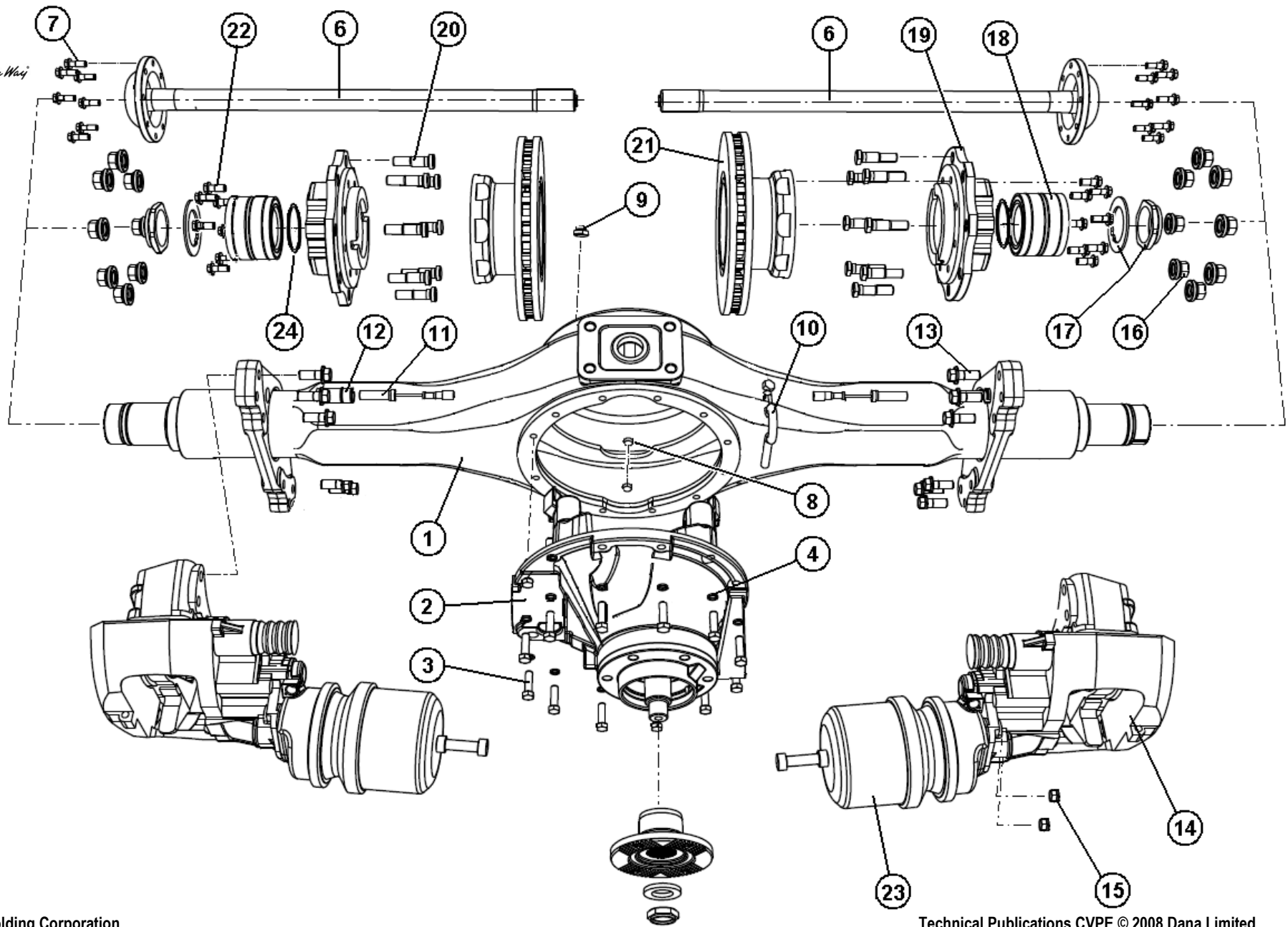
EVERY EFFORT HAS BEEN MADE TO ENSURE THE ACCURACY OF THE INFORMATION CONTAINED WITHIN THIS MANUAL.

**HOWEVER, COMMERCIAL VEHICLE PRODUCTS – EUROPE, A DIVISION OF DANA HOLDING CORPORATION, MAKES NO EXPRESSED OR IMPLIED WARRANTY OR REPRESENTATION BASED ON THE ENCLOSED INFORMATION.**

Last Modification	Approved by	Date	Issue	Eng. Change
	V. Señas	22-11-06	A	-----
	A.Urío	19-11-08	B	<b>08691</b>
	C. Goñi	12-01-09	C	<b>09409</b>
<b>Items 48 &amp; 51 KIT 828320 &amp; 828321</b>	C. Goñi	30-04-13	D	<b>13452A</b>



*People Finding A Better Way*  
**DRW. 1**



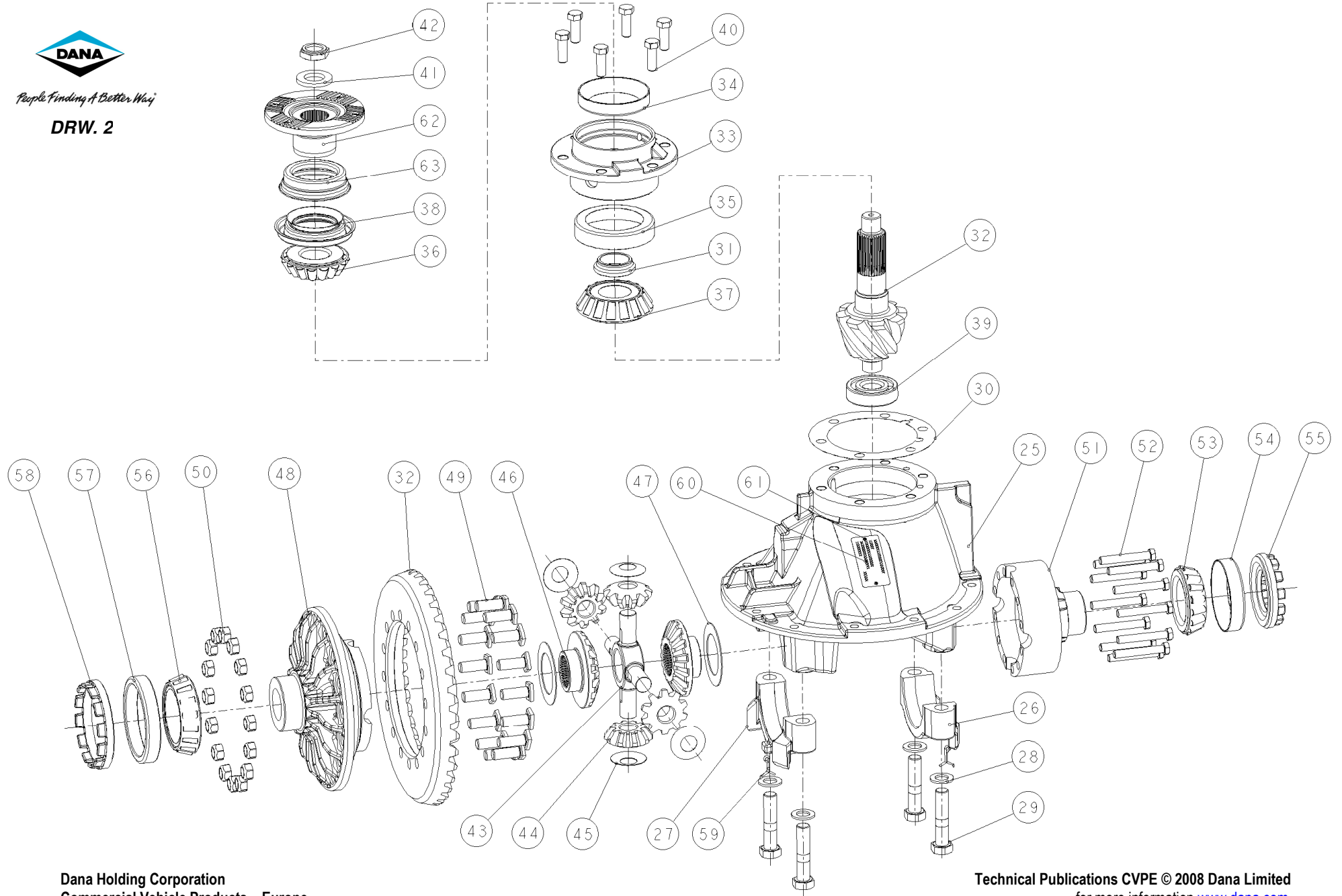
Dana Holding Corporation  
Commercial Vehicle Products – Europe

Technical Publications CVPE © 2008 Dana Limited  
for more information [www.dana.com](http://www.dana.com)



*People Finding A Better Way*

**DRW. 2**



Dana Holding Corporation  
Commercial Vehicle Products – Europe

Technical Publications CVPE © 2008 Dana Limited  
for more information [www.dana.com](http://www.dana.com)

AXLE REFERENCE DANA			826264	826265	826266
AXLE REFERENCE MAZ			-	-	-
ITEM	QTY.	DESCRIPTION	REFERENCE		
1	1	Housing	603605		
2	1	Head Assy Bus 10.24	831203 <i>SEE CHART 2</i>	831202 <i>SEE CHART 2</i>	831207 <i>SEE CHART 2</i>
3	12	Screw M12x1,75x40	210135		
4	12	Washer 21,1x12,7x4	N/A		
6	2	Axle Shaft	828998		
7	16	Bolt Verbus Ripp M16	830434		
8	1	Plug, Magnetic 3/4-14	54254		
9	1	Plug 1-11 1/2 PTF	90321		
10	1	Breather Kit	829265		©
11	2	ABS Sensor	833188		©
12	2	ABS Bushing	830163		
13	12	Bolt M16x1,5x60	830452		
14	1	Brake Wabco (L.H.)	829752		
14	1	Brake Wabco (R.H.)	829753		
15	4	Nut	MX-1-1601		
16	16	Wheel Nut M20x1,5	833205		
17	2	Nut, Hub M75	833064		
17	2	Spindle Washer	833065		
18	2	Bearing Hub Unit	830468		
19	2	Hub	829338		
20	16	Wheel Bolt M20x1,5	833193		
21	2	Disc Rotor	829710		
22	16	Bolt M14x1,5x50	830484		
23	1	Actuator (L.H.)	828100		
23	1	Actuator (R.H.)	828101		
24	2	"O" Ring	830478		

HEAD 10.24 BUS			831203	831202	831207
RATIO			5.83	4.88	4.30
ITEM	QTY.	DESCRIPTION	REFERENCE		
25	1	Carrier	833190		
26	1	Bearing Cap (Case Diff, Plain Half)	210382		
27	1	Bearing Cap (Diff Case Side)	210459		
28	4	Washer Plain (Cap-Bearing)	210288		
29	4	Capscrew-hex (Cap-Bearing)	210095		
30	AS RQD	Shim Pin Brg. Cage	107567L		
31	AS RQD	Spacer Bearing (Pinion)	126470L		
32	1	Matched Set	R832426B	R832363B	R832494B
33	1	Pinion Brg. Cage & Cups Assy	833158		
34	1	<i>Bearing Cup Outer (Brg-Cage)</i>	12495		
35	1	<i>Bearing Cup Inner (Brg-Cage)</i>	833153		
36	1	<i>Bearing Cone Outer (Brg-Cage)</i>	33699		
37	1	<i>Bearing Cone Inner (Brg-Cage)</i>	833152		
38	1	Oil Seal (Pinion)	127721		
39	1	Bearing Pinion Pilot	830398		
40	6	Bolt (Brg-Cage)	210115		
41	1	Washer (Pinion Nut)	210114		
42	1	Pinion Nut	210133		
43	1	Spider	830177		
44	4	Side Pinion	830207		
45	4	Washer Thrust, Side Pinion	830405		
46	2	Side Gear	830231		
47	2	Washer Thrust, Side Gear	126004		
48	1	Diff Case	830370	830200	830200
49	16	Bolt Gear	126219		
50	16	Nut Gear	126216		
51	1	Case-Diff, Plain Half	126014		
52	12	Bolt, Diff Case	210469		
53	1	Brg. Cone (Diff Case, Plain Half)	40679		
54	1	Brg. Cup (Diff Case, Plain Half)	90951		
55	1	Brg. Adjuster (Diff Case, Plain Half)	210108		
56	1	Brg. Cone (Diff Case)	129565		
57	1	Brg. Cup (Diff Case)	129566		
58	1	Brg. Adjuster (Diff Case)	210287		
59	2	Cotter Pin	90873		
60	1	Identification Tag	111197		
61	2	Rivet, Pop	640293		
62	1	Coupling DIN155 X-S	832037		
63	1	Mud Slinger	830428		

← DIFF CASE KIT  
 ← 828320 COMPRISING 830200 + 126014  
 ← 828321 COMPRISING 830370 + 126014



**Dana Holding Corporation**

Commercial Vehicle Products – Europe

Dana Automoción S.A.

Polígono Industrial de Landaben, Calle E

31012 Pamplona / Spain

TEL (+34-948) 289 100 FAX (+34-948) 188 164

**APPLICATION POLICY**

Capability ratings, features and specifications vary depending upon the model type of service. Applications approvals must be obtained from Commercial Vehicle Products - Europe. We reserve the right to change or modify our product specifications, configurations, or dimensions at any time without notice.

*People Finding A Better Way<sup>®</sup>*